

**MATERIALS & SPECIFICATIONS**

**INSULATORS**

THERMOPLASTIC PER ASTM D5138

**CONTACT MATERIAL**

PINS - BERYLLIUM COPPER PER ASTM B194, ALLOY C17200  
 SOCKET - COPPER ALLOY PER MIL-DTL-32139

**CONTACT FINISH**

GOLD PLATE PER ASTM B488, TYPE II (HARD GOLD), CODE C, CLASS 1.27

**TERMINATION FINISH**

SOLDER COATED WITH SN63 PER J-STD-006 OR SN60 PER AMS-P-81728

**CURRENT RATING**

1 AMP PER MIL-DTL-32139

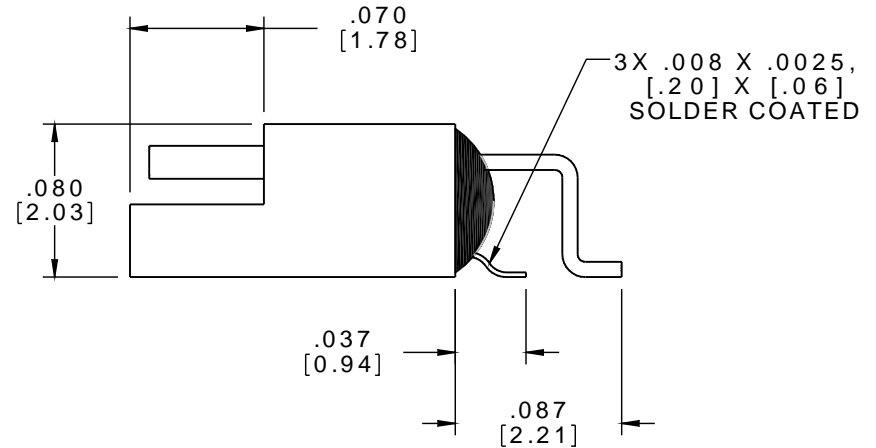
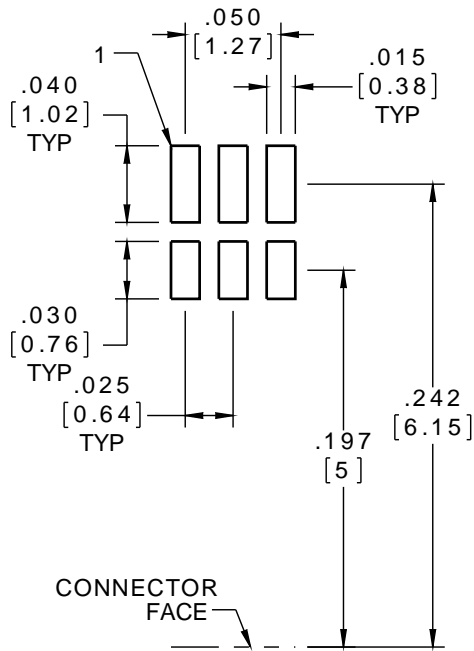
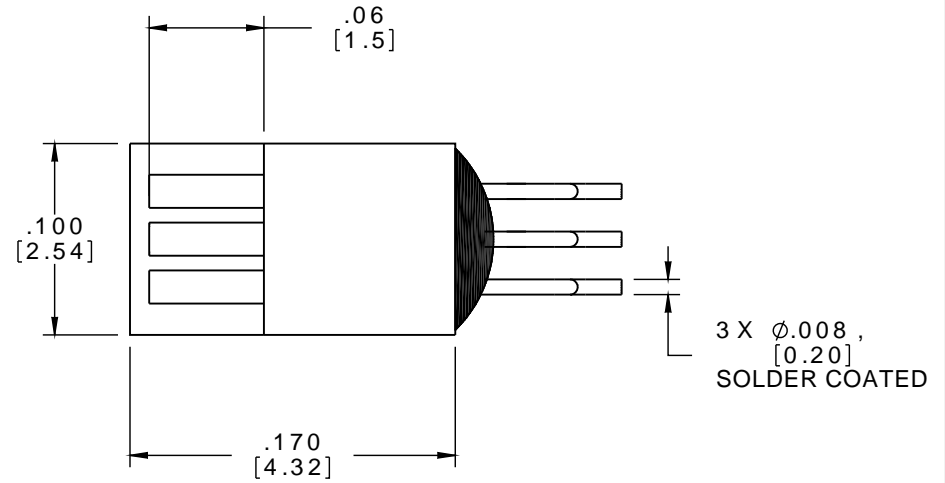
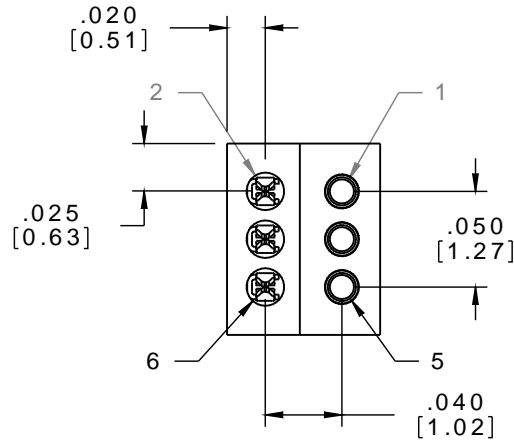
**CONTACT RESISTANCE**

71 MILLIOHM MAX (71mV DROP MAX) @ 1.0 AMPS PER MIL-DTL-32139

**PERFORMANCE**

PRODUCT FAMILY TESTED TO AND PASSED THE PERFORMANCE SPECIFICATIONS OF TABLE VIII OF MIL-DTL-32139

PART NO.	A 79608-001	REV	ECO	DATE	APP
		D	99309	02-18-13	TLM



ACTUAL SIZE

SUGGESTED PAD LAYOUT

**NOTE:**

DIMENSIONS IN [ ] ARE IN MILLIMETERS UNLESS OTHERWISE NOTED AND ARE FOR REFERENCE ONLY

PZN SLDW	THIRD ANGLE
	-TOLERANCES-
	UNLESS OTHERWISE NOTED
	DIMENSIONS IN INCHES
2 PL DEC ± .01	
3 PL DEC ± .005	
4 PL DEC ± .0005	
ANGLES ± 1°	

THIS DRAWING CONTAINS CONFIDENTIAL AND PROPRIETARY INFORMATION WHICH IS THE PROPERTY OF OMNETICS CONNECTOR CORP. THIS DOCUMENT MAY NOT, IN WHOLE OR IN PART, BE DUPLICATED, OR DISCLOSED FOR ANY PURPOSE, WITHOUT WRITTEN PERMISSION FROM OMNETICS CONNECTOR CORP.	
DFTM. NJS	DATE 08-24-09
CHK'D.	DATE
APP'D.	DATE
TITLE: (6) CONTACT POLARIZED MALE/FEMALE NANO CONNECTOR	

**OMNETICS**  
 CONNECTOR CORPORATION  
 7260 COMMERCE CIRCLE EAST  
 MINNEAPOLIS, MN 55432  
 WWW.OMNETICS.COM

CAGE CODE 61873
DWG NO. A79608-001
SHEET 1 OF 1
SCALE: 10:1
REV D