

MATERIALS & SPECIFICATIONS

PART NO.	A 79606-001	REV	ECO	DATE	APP
		C	99309	02-18-13	TLM

INSULATOR

THERMOPLASTIC PER ASTM D5138

CONTACT MATERIAL

PINS - BERYLLIUM COPPER PER ASTM B194, ALLOY C17200
 SOCKET - COPPER ALLOY PER MIL-DTL-32139

CONTACT FINISH

GOLD PLATE PER ASTM B488, TYPE II (HARD GOLD), CODE C, CLASS 1.27

WIRE

32 AWG, 7 STRAND, TYPE ET PER NEMA HP3

CURRENT RATING

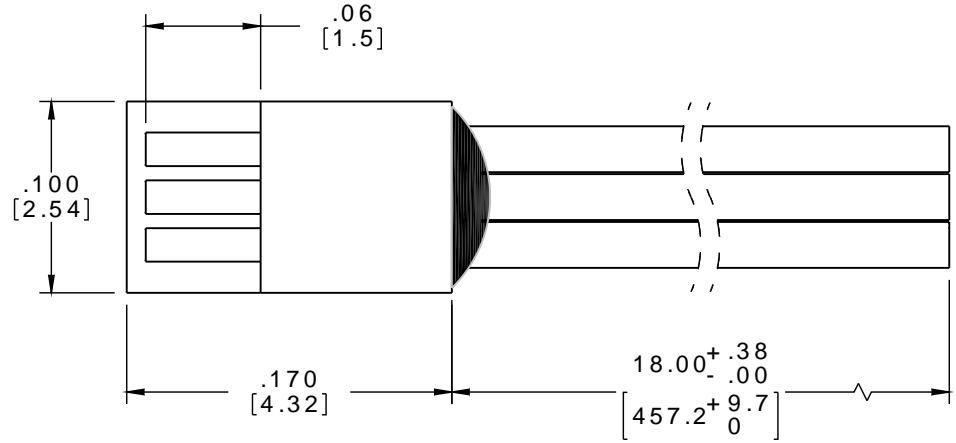
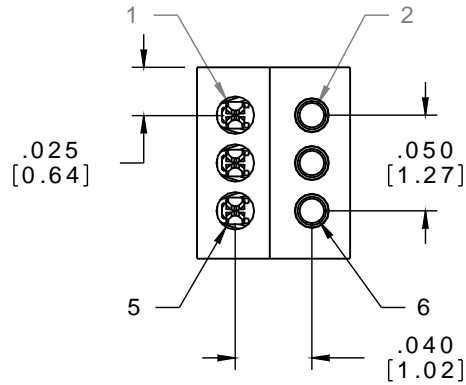
1 AMP MAX PER MIL-DTL-32139

CONTACT RESISTANCE

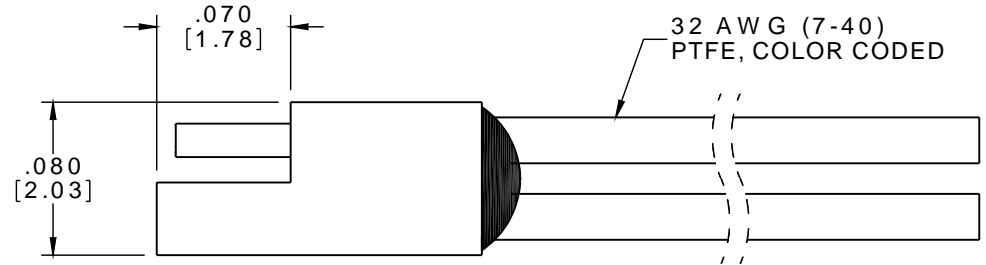
71 MILLIOHM MAX (71mV DROP MAX) @ 1.0 AMPS PER MIL-DTL-32139

PERFORMANCE

PRODUCT FAMILY TESTED TO AND PASSED THE PERFORMANCE SPECIFICATIONS OF TABLE VIII OF MIL-DTL-32139



CONTACT #	COLOR
1	BLACK
2	BROWN
3	RED
4	ORANGE
5	YELLOW
6	GREEN



ACTUAL SIZE EXCLUDING WIRE LENGTH

INTERNAL USE ONLY
 SHEET 2 OF 2 IS
 MANUFACTURING
 LOADING DIAGRAM

NOTE:

DIMENSIONS IN [] ARE IN MILLIMETERS UNLESS OTHERWISE NOTED AND ARE FOR REFERENCE ONLY

PZN SLDW	THIRD ANGLE	THIS DRAWING CONTAINS CONFIDENTIAL AND PROPRIETARY INFORMATION WHICH IS THE PROPERTY OF OMNETICS CONNECTOR CORPORATION. THIS DOCUMENT MAY NOT, IN WHOLE OR IN PART, BE DUPLICATED, OR DISCLOSED FOR ANY PURPOSE, WITHOUT WRITTEN PERMISSION FROM OMNETICS CONNECTOR CORP.		 CONNECTOR CORPORATION 7260 COMMERCE CIRCLE EAST MINNEAPOLIS, MN 55432 WWW.OMNETICS.COM	CAGE CODE 61873		
	-TOLERANCES- UNLESS OTHERWISE NOTED	DFTM. NJS	DATE 08-24-09		TITLE:	DWG NO. A79606-001	
	DIMENSIONS IN INCHES	CHK'D.	DATE		(6) CONTACT POLARIZED MALE/FEMALE	SHEET 1 OF 2	
	2 PL DEC ± .01 3 PL DEC ± .005 4 PL DEC ± .0005 ANGLES ± 1°	APP'D.	DATE		NANO CONNECTOR	REV C	SCALE: 10:1