

**MATERIALS & SPECIFICATIONS**

PART NO.	A 79605-001	REV	ECO	DATE	APP
		C	99309	02-18-13	TLM

**INSULATOR**  
THERMOPLASTIC PER ASTM D5138

**CONTACT MATERIAL**  
PINS - BERYLLIUM COPPER PER ASTM B194, ALLOY C17200  
SOCKET - COPPER ALLOY PER MIL-DTL-32139

**CONTACT FINISH**  
GOLD PLATE PER ASTM B488, TYPE II (HARD GOLD), CODE C, CLASS 1.27

**WIRE**  
32 AWG, 7 STRAND, TYPE ET PER NEMA HP3

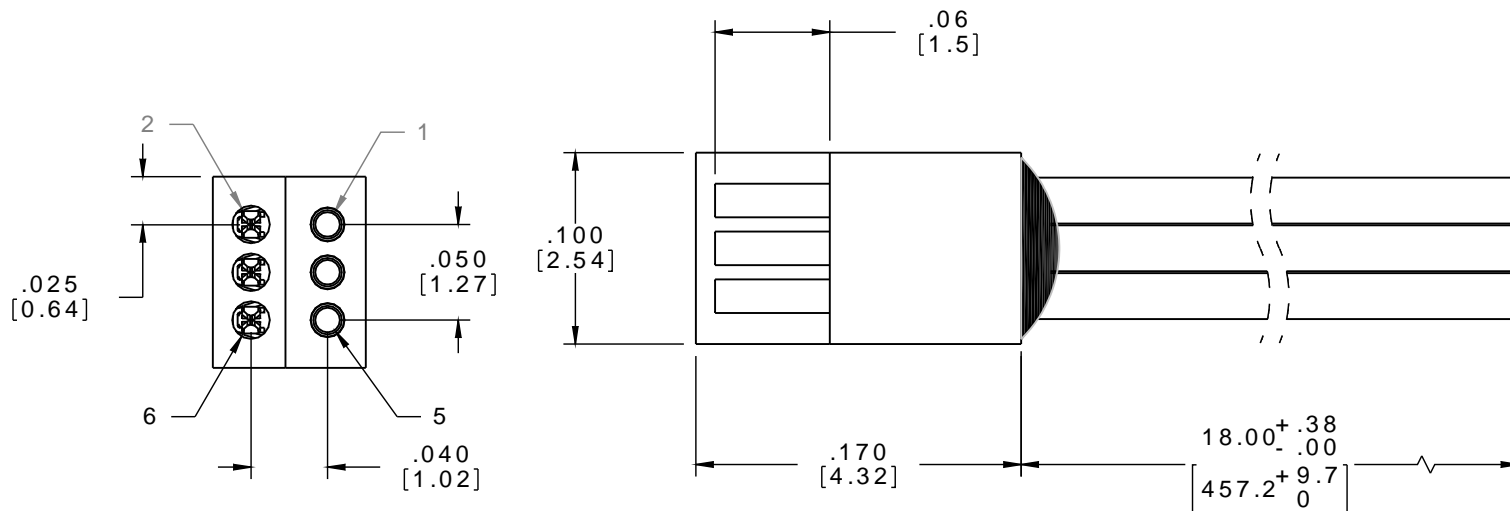
**CURRENT RATING**  
1 AMP MAX PER MIL-DTL-32139

**CONTACT RESISTANCE**  
71 MILLIOHM MAX (71mV DROP MAX) @ 1.0 AMPS PER MIL-DTL-32139

**PERFORMANCE**  
PRODUCT FAMILY TESTED TO AND PASSED THE PERFORMANCE SPECIFICATIONS OF TABLE VIII OF MIL-DTL-32139

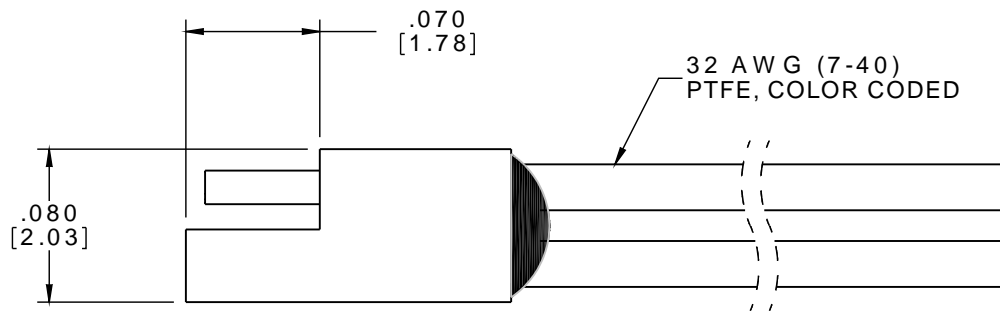


ACTUAL SIZE EXCLUDING WIRE LENGTH



CONTACT #	COLOR
1	BLACK
2	BROWN
3	RED
4	ORANGE
5	YELLOW
6	GREEN

INTERNAL USE ONLY  
SHEET 2 OF 2 IS  
MANUFACTURING  
LOADING DIAGRAM



**NOTE:**

DIMENSIONS IN [ ] ARE IN MILLIMETERS UNLESS OTHERWISE NOTED AND ARE FOR REFERENCE ONLY

PZN SLDW	THIRD ANGLE
	-TOLERANCES-
	UNLESS OTHERWISE NOTED
	DIMENSIONS IN INCHES
	2 PL DEC ± .01
	3 PL DEC ± .005
	4 PL DEC ± .0005
	ANGLES ± 1°

THIS DRAWING CONTAINS CONFIDENTIAL AND PROPRIETARY INFORMATION WHICH IS THE PROPERTY OF OMNETICS CONNECTOR CORP. THIS DOCUMENT MAY NOT, IN WHOLE OR IN PART, BE DUPLICATED, OR DISCLOSED FOR ANY PURPOSE, WITHOUT WRITTEN PERMISSION FROM OMNETICS CONNECTOR CORP.	
DFTM. NJS	DATE 08-24-09
CHK'D.	DATE
APP'D.	DATE
TITLE: (6) CONTACT POLARIZED MALE/FEMALE NANO CONNECTOR	

**OMNETICS**  
CONNECTOR CORPORATION  
7260 COMMERCE CIRCLE EAST  
MINNEAPOLIS, MN 55432  
WWW.OMNETICS.COM

CAGE CODE 61873	
DWG NO. A79605-001	
SHEET 1 OF 2	REV C
SCALE: 10:1	