

PART NO.	A 79115-001	REV	ECO	DATE	APP
		D	98556	05-18-12	TLM

MATERIALS & SPECIFICATIONS

INSULATOR MATERIAL:

THERMOPLASTIC POLYMER PER MIL-DTL-32139

CONTACT MATERIAL:

COPPER ALLOY PER MIL-DTL-32139. GOLD PLATED PER ASTM B488, (HARD GOLD) TYPE II CODE C CLASS 1.27

TERMINATION:

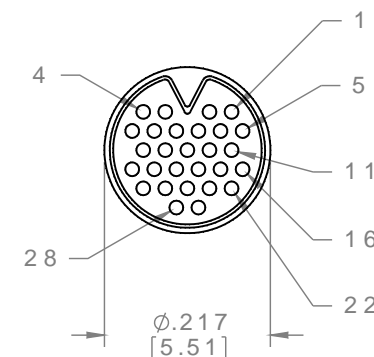
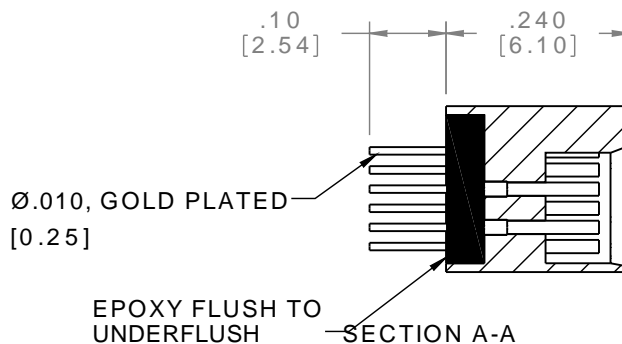
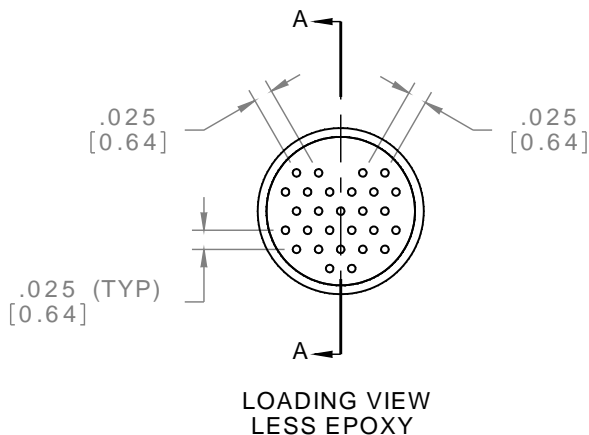
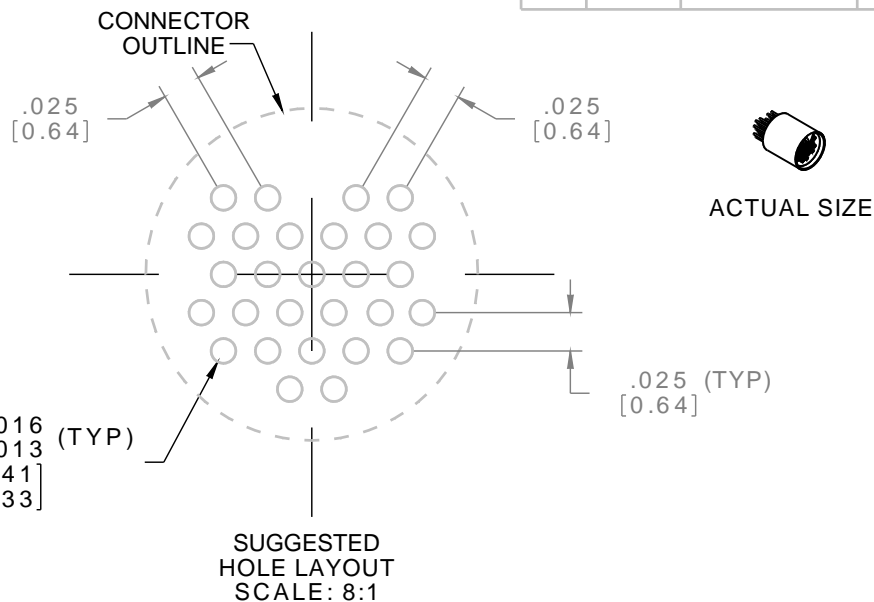
GOLD PLATED PER ASTM B488, (HARD GOLD) TYPE II CODE C CLASS 1.27

CURRENT CAPACITY:

1 AMP MAX PER MIL-DTL-32139

CONTACT RESISTANCE:

71 MILLIOHMS (71 mV) MAX @ 1.0 AMPS PER MIL-DTL-32139



RoHS

NCS	THIRD ANGLE
	-TOLERANCES- UNLESS OTHERWISE NOTED DIMENSIONS IN INCHES
SLDW	2 PL DEC ± .01
	3 PL DEC ± .005
	4 PL DEC ± .0005 ANGLES ± 1°

THIS DRAWING CONTAINS CONFIDENTIAL AND PROPRIETARY INFORMATION WHICH IS THE PROPERTY OF OMNETICS CONNECTOR CORP. THIS DOCUMENT MAY NOT, IN WHOLE OR IN PART, BE DUPLICATED, OR DISCLOSED FOR ANY PURPOSE, WITHOUT WRITTEN PERMISSION FROM OMNETICS CONNECTOR CORP.	
DFTM. ACM	DATE 01-22-09
CHK'D.	DATE
APP'D.	DATE
TITLE: (28) SOCKET FEMALE NANO CIRCULAR CONNECTOR	

OMNETICS
CONNECTOR CORPORATION
7260 COMMERCE CIRCLE EAST
MINNEAPOLIS, MN 55432
WWW.OMNETICS.COM

CAGE CODE 61873	
DWG NO. A79115-001	
SHEET 1 OF 1	REV D
SCALE: 4:1	