

# MATERIALS & SPECIFICATIONS

PART NO.	A79106-001	REV	ECO	DATE	APP
		C	96268	10-22-09	TLM

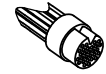
**INSULATOR MATERIAL:**  
THERMOPLASTIC POLYMER PER MIL-DTL-32139

**CONTACT MATERIAL:**  
COPPER ALLOY PER MIL-DTL-32139. GOLD PLATED PER ASTM B488,  
(HARD GOLD) TYPE II CODE C CLASS 1.27

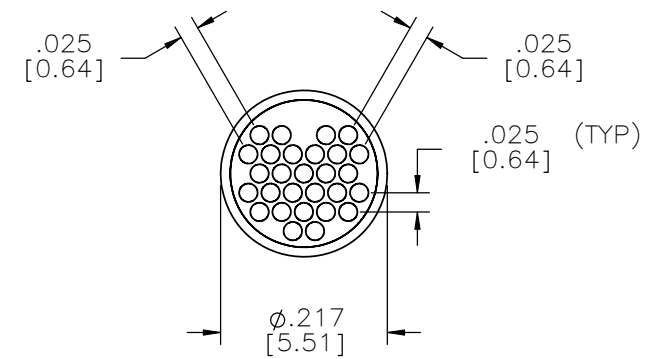
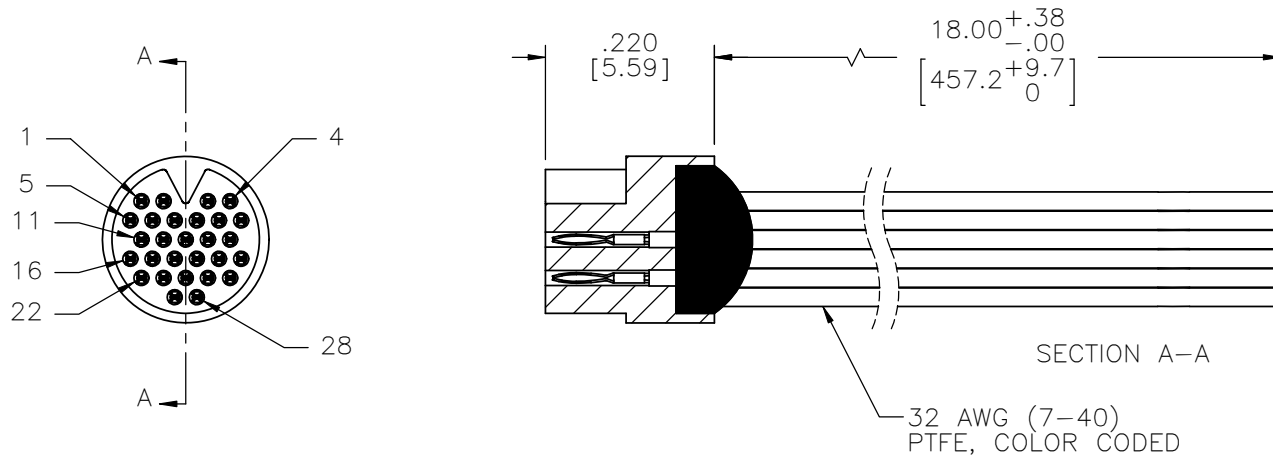
**TERMINATION:**  
32 AWG (7-40) TYPE ET, PER NEMA HP3, COLOR CODED PER TABLE

**CURRENT CAPACITY:**  
1 AMP MAX PER MIL-DTL-32139

**CONTACT RESISTANCE:**  
71 MILLIOHMS (71 mV) MAX @ 1.0 AMPS PER MIL-DTL-32139



ACTUAL SIZE  
EXCLUDING WIRE LENGTH



LOADING VIEW  
LESS EPOXY

PIN #	COLOR
1, 11, 21	BLACK
2, 12, 22	BROWN
3, 13, 23	RED
4, 14, 24	ORANGE
5, 15, 25	YELLOW
6, 16, 26	GREEN
7, 17, 27	BLUE
8, 18, 28	VIOLET
9, 19	GRAY
10, 20	WHITE

INTERNAL USE ONLY  
USE MFG. LOADING  
PROCEDURE NC-28P

NCP SLDW	THIRD ANGLE $\phi$ $\equiv$	THIS DRAWING CONTAINS CONFIDENTIAL AND PROPRIETARY INFORMATION WHICH IS THE PROPERTY OF OMNETICS CONNECTOR CORP. THIS DOCUMENT MAY NOT, IN WHOLE OR IN PART, BE DUPLICATED, OR DISCLOSED FOR ANY PURPOSE, WITHOUT WRITTEN PERMISSION FROM OMNETICS CONNECTOR CORP.	DATE 01-14-09	TITLE: (28) PIN MALE NANO CIRCULAR CONNECTOR	CAGE CODE <b>61873</b>
	-TOLERANCES- UNLESS OTHERWISE NOTED DIMENSIONS IN INCHES				
	2 PL DEC ± .01				DWG NO. <b>A79106-001</b>
	3 PL DEC ± .005				SHEET 1 OF 1
	4 PL DEC ± .0005				REV C
	ANGLES ± 1°				SCALE: 4:1

**OMNETICS**  
CONNECTOR CORPORATION  
7260 COMMERCE CIRCLE EAST  
MINNEAPOLIS, MN 55432  
WWW.OMNETICS.COM